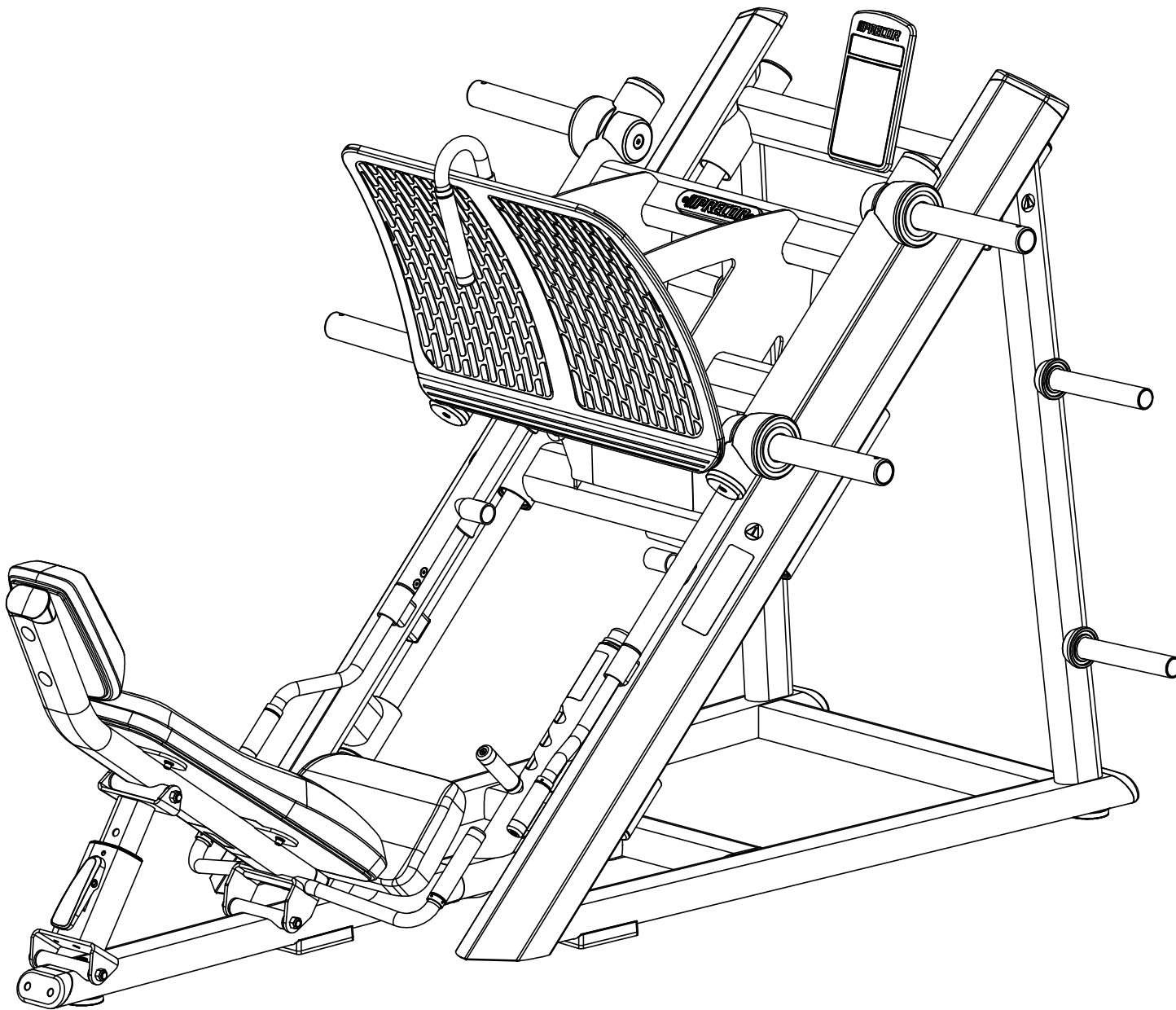


NOTES:

1 THIS LABEL IS FURNISHED AS PART OF A LABEL KIT.
ORDER REPLACEMENT LABEL KITS AS FOLLOWS:

- 201 ENGLISH
- 202 CHINESE
- 203 DUTCH
- 204 FRENCH
- 205 GERMAN
- 206 HEBREW
- 207 ITALIAN
- 208 JAPANESE
- 209 BR PORT
- 210 IB PORT
- 211 RUSSIAN
- 212 SPANISH



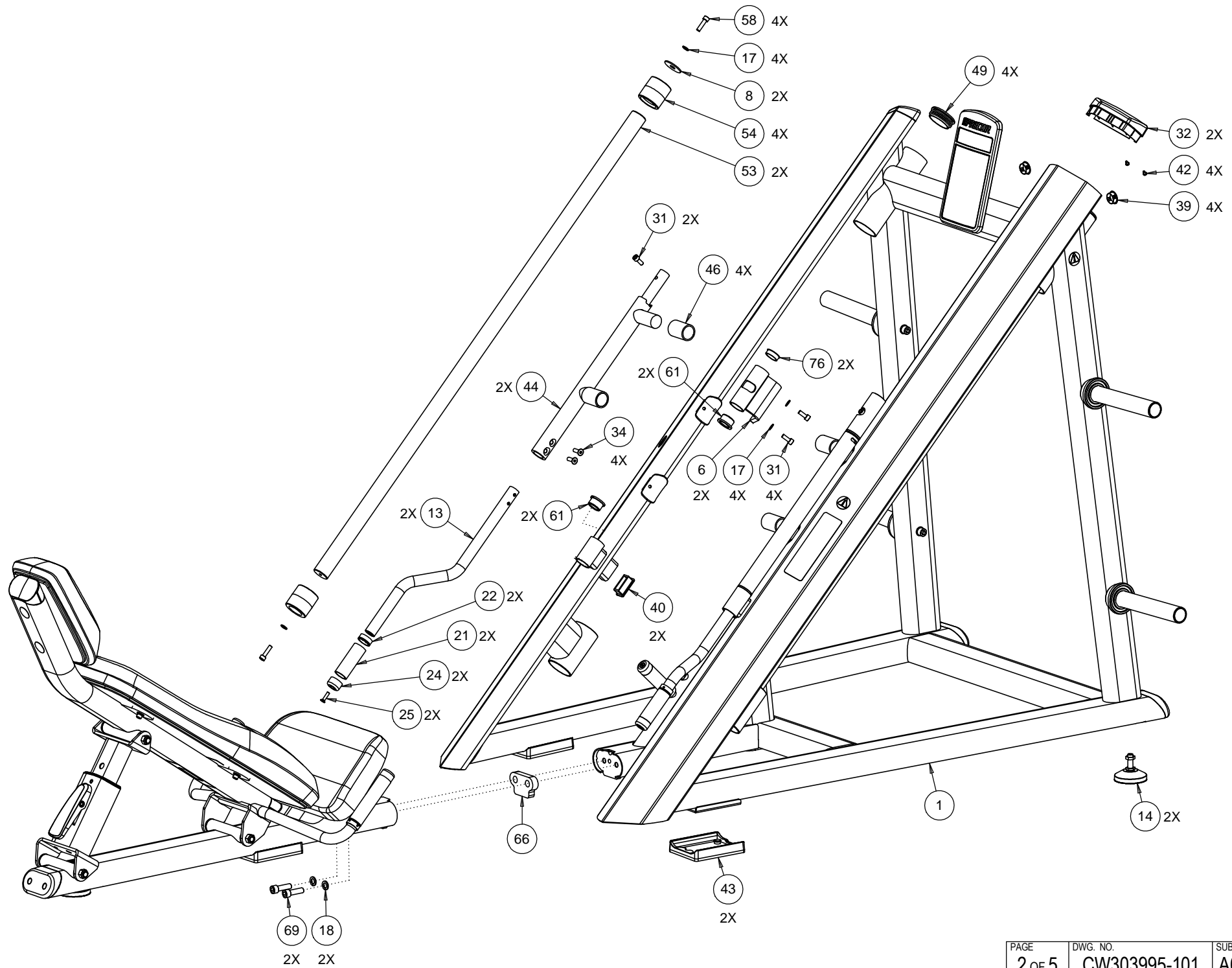
PRODUCT:				PRECOR	
DPL601 LINEAR LEG PRESS					
DRWN BY	1/13/16	SEF	SIZE	PAGE	DWG. NO.
CS	1/13/16	BG	A	1 OF 5	CW303995-101
					SUBREV
					A02

D

C

B

A



D

C

B

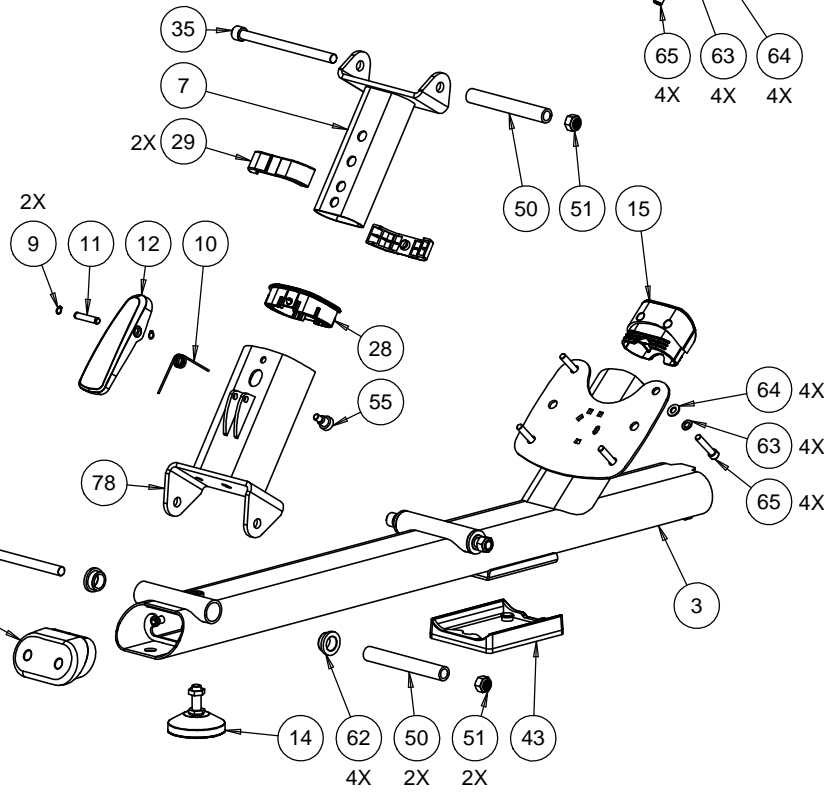
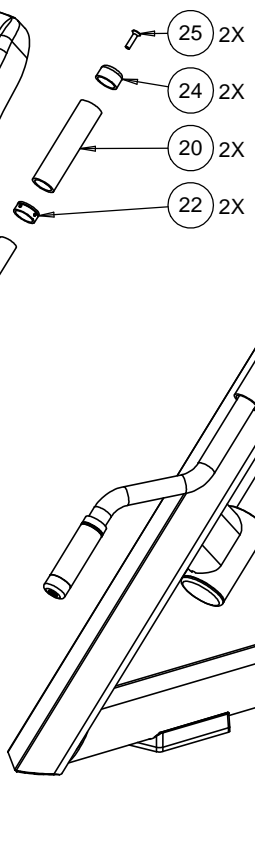
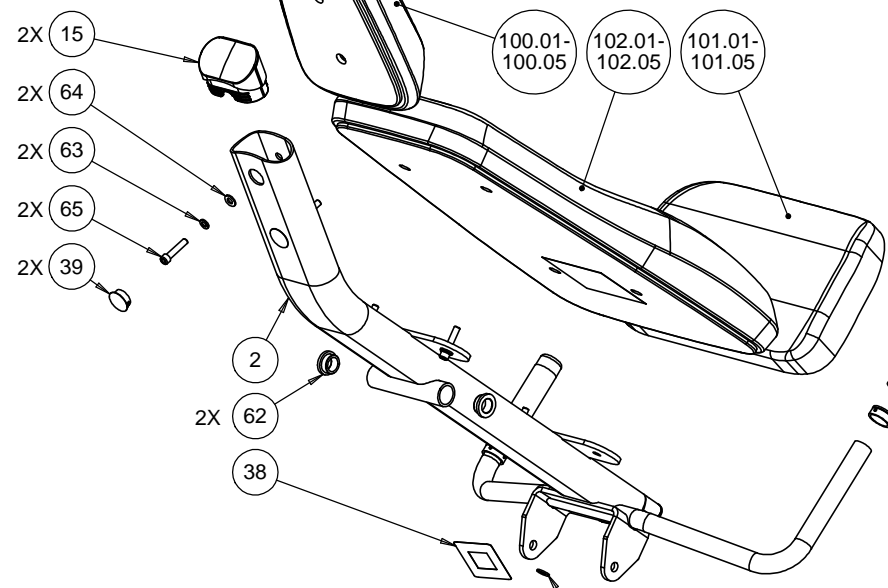
A

4

3

2

1

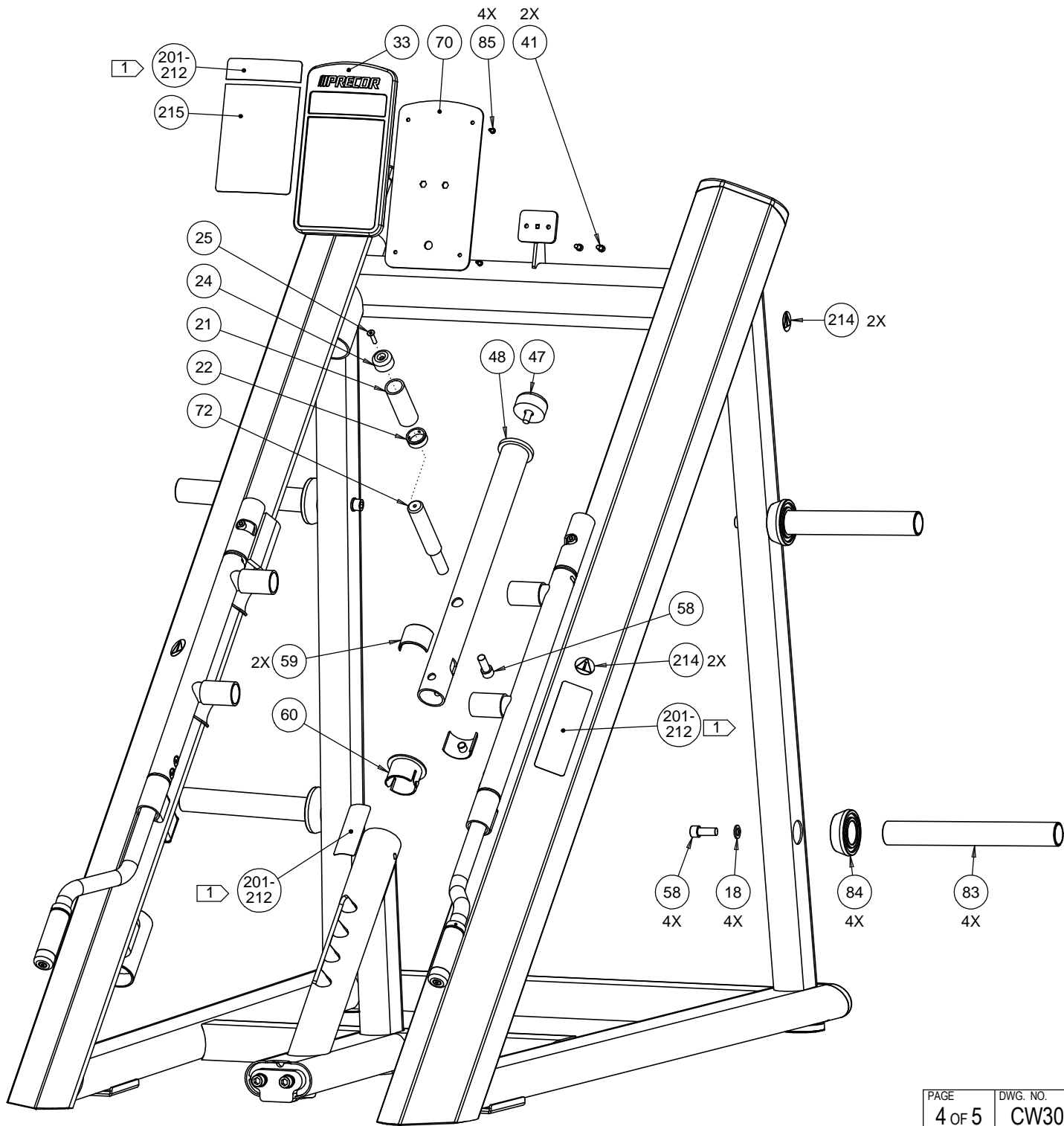


D

C

B

A



D

C

B

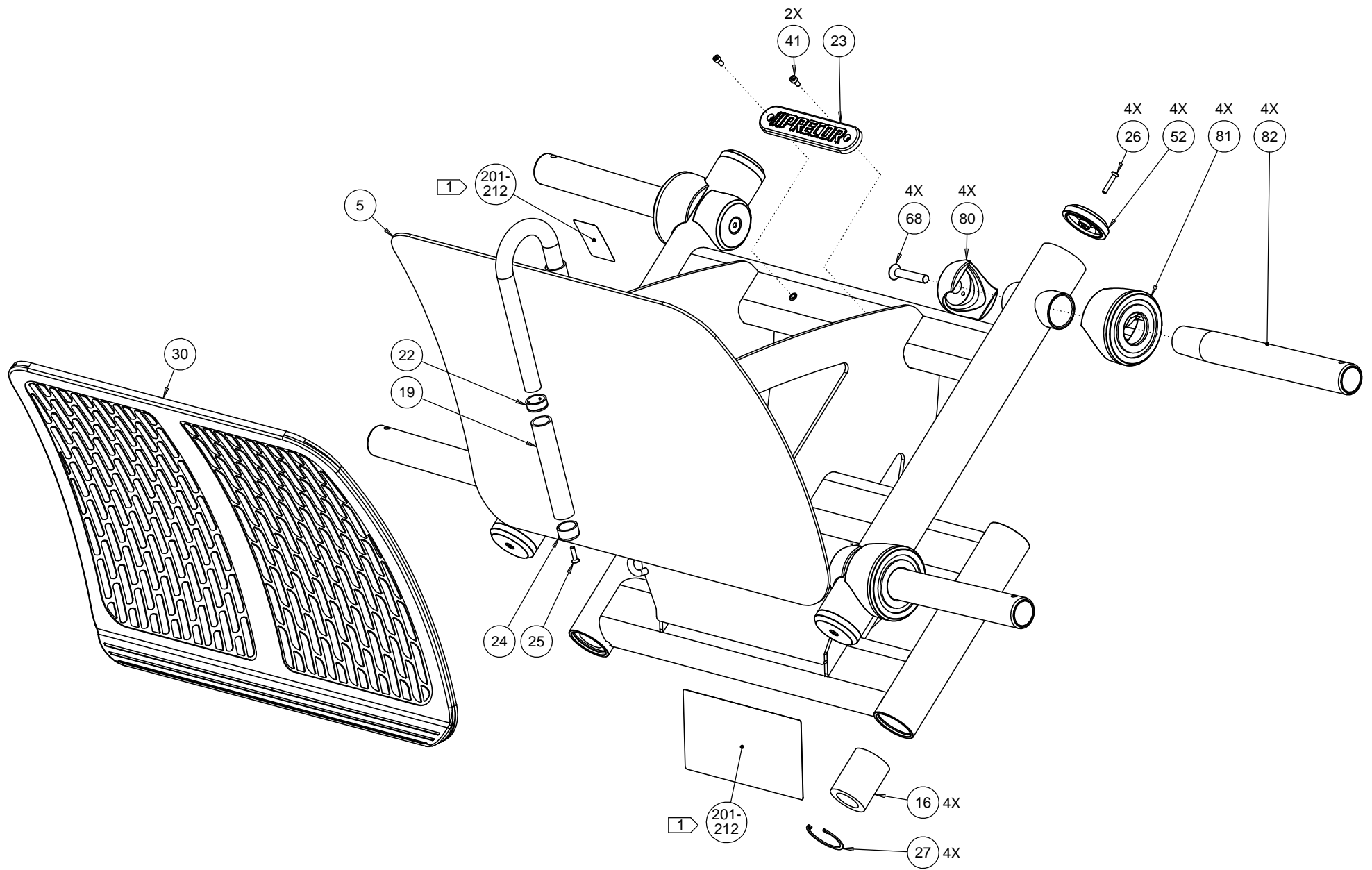
A

4

3

2

1



Bubble #	OEM Number	Description
8	PPPO0CWABCN050010	WASHER, FENDER, 1/2 ID X 1 3/4 OD,
9	PPP000CWAACN031025	RETAINING RING, EXTERNAL, .313 DIA,
10	PPP00000CW12634103	SPRING, TORSION 90 DEG X 0.678 X 0.
11	PPP00000CW40821101	LATCH PIVOTING PIN, CLR ZN
12	PPP00000CW40818101	ASSY, PIN, LEVER HANDLE,CITRON
14	PPP000CWPO21300101	ASSY, ADJUST FOOT
15	PPP00000CW34366101	END CAP ASSY, SEAT BACK, DOUBLE D T
17	PPP000CWWKCN008016	WASHER, FLAT, STEEL, METRIC, M8 X 1
18	PPP00CWWBWCN012023	WASHER, SPLIT, M12 X 2.3MM THICK, C
20	PPP00000CWGR4605000	GRIP, RUBBER, 1.00 in. OD HANDLE, 5.00
21	PPP00000CWGR5003250	GRIP,RUBBER,1 in. ID X 3.25 in. L,CITRON
22	PPP00000CWAC219902	HNDL RETAINER RNG, W/SS,1.040 in. I.D.
24	PPP00000CW34091101	HANDLE END CAP, ALUM,
25	PPP00CWMMAKCN006025	SCREW, FH SOCKET, M6-1.0 X 25, CZ
28	PPP00000CW40495102	SLIDE,UPPER,DD TUBE,DPALP
29	PPP00000CW40496101	SLIDE,LOWER,DD TUBE,DPALP
31	PPP000CWCECN008020	SCREW,SHC,M8-1.25X20,CZ
32	PPP00000CW40508101	CAP,TRAP,BLACK PLASTIC,SINGLE PC,DI
34	PPP00CWMMAKKN008025	SCREW, FH SOCKET, M8-1.25 X 25, BZ
35	PPP00000CW40922101	STOP PLUG, M12, CL ZN
35	PPP000CWCECN012170	SCREW,SHC,M12-1.75 X 170, CZ
38	PPP00000CW39169101	LABEL,REGULATORY,DOMESTIC STRENGTH
39	PPP00000CW11095109	CAP, PLASTIC, HEYCO, DOME PLUG, 1.0
40	PPP00000CW11311104	ENDCAP, REC TUBE, BLK PLASTIC, 1X2
41	PPP000CWCECN006016	SCREW,SHC,M6-1.0X 16,CZ
42	PPP000CWPMCNCN016050	SCREW, SELF TAPPING,#8 X 1/2 PHIL,
43	PPP000CWPO12600101	FOOT MAT
46	PPP00000CW40843101	BUMPER,STOP,1.50OD X 1.25ID X 2.13
49	PPP00000CW11382109	CAP, TUBE, PLASTIC, ROUND, RN2-1/2F
50	PPP00000CW40805101	TUBE,.75ODX.12 WALL,PIVOT SPACER,DP
51	PPP000CWKFCN012012	NUT,LOCK,FULL,M12-1.75,NYLON INSERT
52	PPP00000CW40991101	PLATE, TUBE CONNECTOR, SPACER, 2X5,
53	PPP00000CW40446102	BAR,1.5OD,GUIDEROD,DPALP/HS
54	PPP00000CW40817101	BUMPER, GUIDE ROD, DPALP/HS
55	PPP000CWPO40800101	END PLUG
57	PPP00000CW40223101	CAP, 2X5 DD, BLACK PLASTIC, DISCOVE
58	PPP000CWCECN012030	SCREW,SHC,M12-1.75X30,CZ
59	PPP00000CW40504101	SLIDE,2.5 OD TUBE,DPALP
60	PPP00000CW40928101	BUSHING,FLANGED,UPPER CENTER STOP,D
61	PPP00000CW40946101	BUSHING, BRONZE, 1 in. ID X 1 1/4 in. OD,
62	PPP00000CW10433109	BUSHING,FLNGD,1ODX.75IDX.5,IGUS R
65	PPP000CWCACN031150	SCREW,SHC,5/16-18 X1.50,CZ
67	PPP000CWCEKN006060	SCREW,SHC,M6-1.0X 60,BZ
68	PPP00CWMMAKKN012070	SCREW, FH SOCKET, M12-1.75 X 70, BZ
69	PPP000CWCEKN012040	SCREW,SHC,M12-1.75X40,BZ
70	PPP00000CW40578101	PLATE, .12T, PLACARD MOUNT, DP, PC

71	PPP000CW	CECN008030	SCREW,SHC,M8-1.25X30,CZ
72	PPP00000	CW40501101	BAR,1 in.OD,STOP HANDLE,DPALP
76	PPP00000	CW11095105	CAP, PLASTIC, HEYCO, DOME PLUG, 1.2
83	PPP000	CWP046700101	ASSY, WT STORAGE BAR, PLATE LOADED
84	PPP000	CWB022700101	BUMPER, WEIGHT STORAGE HORN, DBR
100.01	PPP00	CWPD5026PD301	CHEST/BACK PAD,RENOVO,BLACK
101.01	PPP00	CWPD5040PD301	LUMBAR PAD,DSAC,BLACK
102.01	PPP00	CWPD5050PD301	BACK PAD,BLACK,DP
117	PPP000	CWPMTN016063	SCREW, SELF TAPPING,#8 X 5/8 PHIL,
202	PPP00000	CW40857101	KIT,MACHINE DECALS,CHINESE,DPALP
215	PPP00000	CW40847101	LABEL,INSTRUCTIONAL,DPALP